

Application Note AN4138

Design Considerations for Battery Charger Using Green Mode Fairchild Power Switch (FPS™)

Abstract

This application note presents practical design considerations for battery chargers employing Green Mode FPS (Fairchild Power Switch). It includes designing the transformer and output filter, selecting the components and implementing constant current / constant voltage control.

The step-by-step design procedure described in this paper will help engineers design battery chargers more easily. In order to make the design process more efficient, a software design tool, **FPS design assistant** that contains all the equations described in this paper is also provided. The design procedure is verified through an experimental prototype converter.

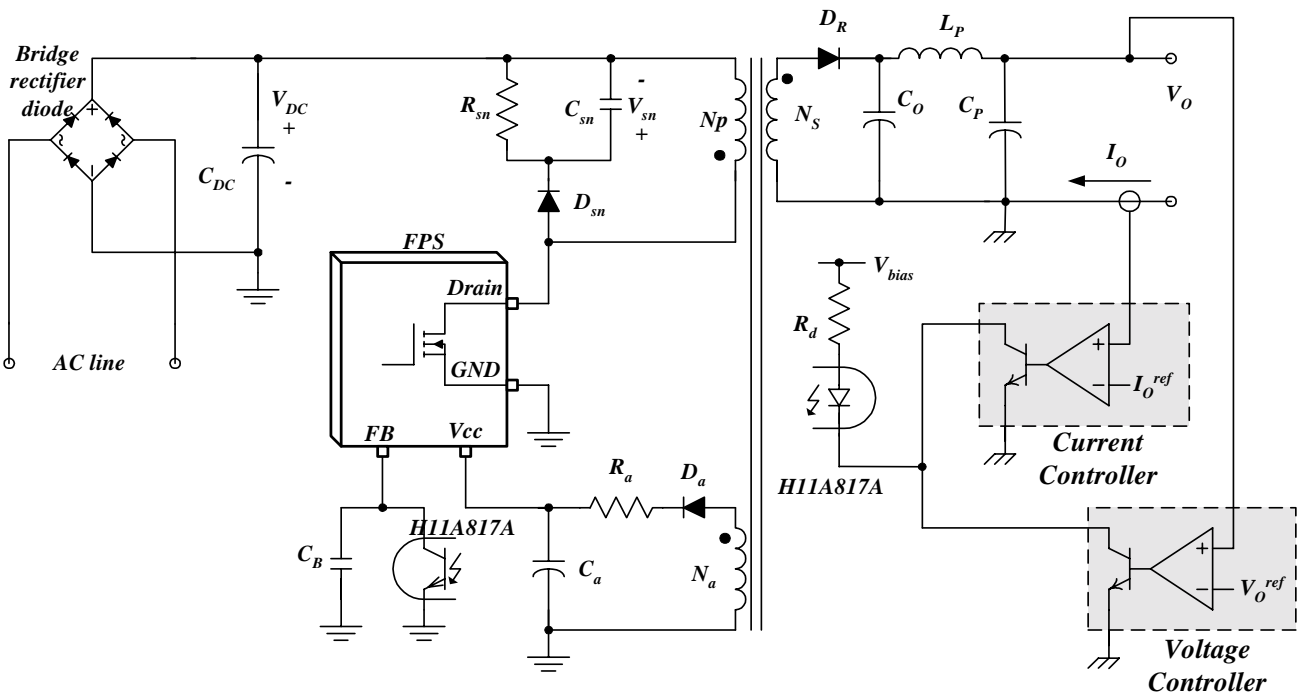


Figure 1. Basic Battery charger Using FPS

1. Introduction

As penetration rates of portable electronics devices such as cellular phones, digital cameras or PDAs have increased significantly, the demands for low cost battery chargers are rising these days. Fairchild Power Switch (FPS) reduces total component count, design size, weight and, at the same time increases efficiency, productivity, and system reliability when compared to a discrete MOSFET and controller or RCC switching converter solution. Table 1 shows the FPS lineup for a battery charger application. Figure 1 shows the schematic of the basic battery charger using FPS, which also serves as the reference circuit for the design process

described in this paper. An experimental flyback converter from the design example has been built and tested to show the validity of the design procedure.

Device	Switching frequency	Current limit	R _{dson} (typ.)
FSDH0165	100 kHz	0.35 A	15.6 Ω
FSD311	67 kHz	0.55 A	14 Ω
FSD200	134 kHz	0.32 A	28 Ω
FSD210	134 kHz	0.32 A	28 Ω

Table 1. FPS lineup for a battery charger

2. Step-by-step Design Procedure

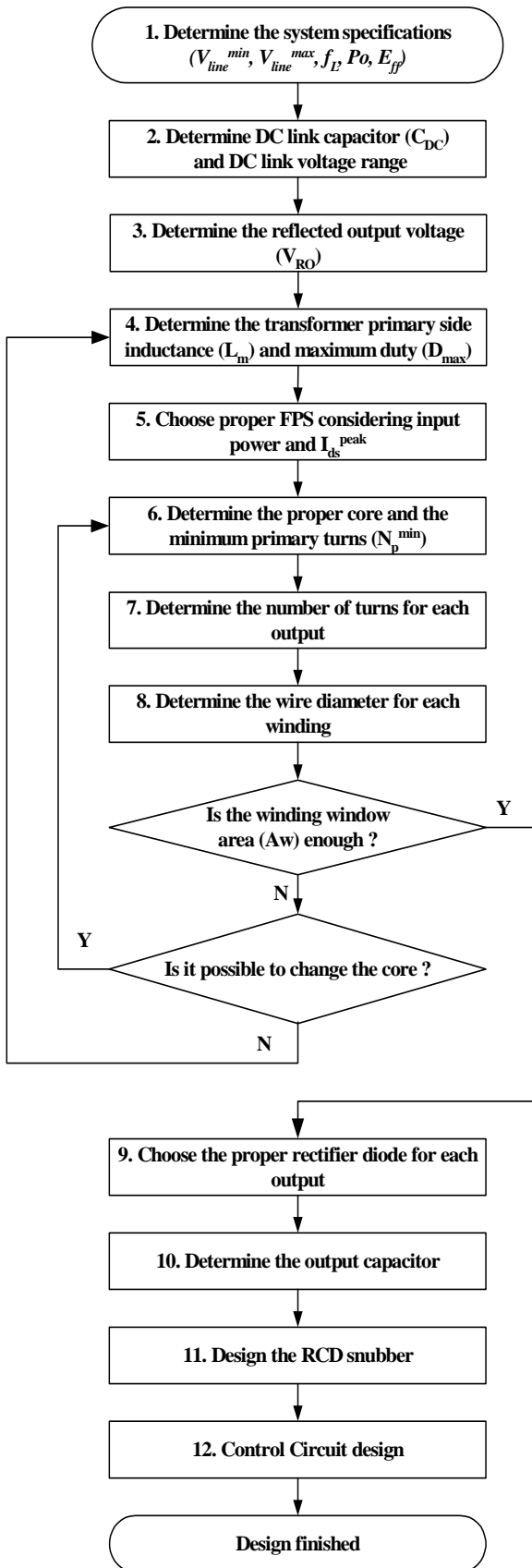


Figure 2. Flow chart of design procedure

In this section, a design procedure is presented using the schematic of Figure 1 as a reference. Figure 2 illustrates the design flow chart. The detailed design procedures are as follows:

(1) STEP-1 : Define the system specifications

- Line voltage range (V_{line}^{min} and V_{line}^{max}).
- Line frequency (f_L).
- Maximum output power (P_o).
- Estimated efficiency (E_{ff}) : It is required to estimate the power conversion efficiency to calculate the maximum input power. In the case of a battery charger, the efficiency is relatively low due to the low output voltage and loss in the output current sense resistor. The typical efficiency is about 0.65-0.7.

With the estimated efficiency, the maximum input power is given by

$$P_{in} = \frac{P_o}{E_{ff}} \quad (1)$$

(2) STEP-2 : Determine DC link capacitor (C_{DC}) and the DC link voltage range.

It is typical to select the DC link capacitor as 2-3uF per watt of input power for universal input range (85-265Vrms) and 1uF per watt of input power for European input range (195V-265Vrms). With the DC link capacitor chosen, the minimum link voltage is obtained as

$$V_{DC}^{min} = \sqrt{2 \cdot (V_{line}^{min})^2 - \frac{P_{in} \cdot (1 - D_{ch})}{C_{DC} \cdot f_L}} \quad (2)$$

where D_{ch} is the DC link capacitor charging duty ratio defined as shown in Figure 3, which is typically about 0.2 and P_{in} , V_{line}^{min} and f_L are specified in step-1.

The maximum DC link voltage is given as

$$V_{DC}^{max} = \sqrt{2} V_{line}^{max} \quad (3)$$

where V_{line}^{max} is specified in step-1.

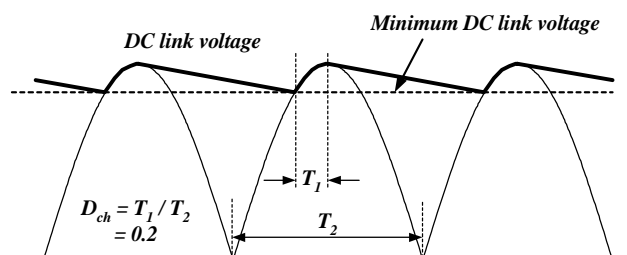


Figure 3. DC Link Voltage Waveform

(3) STEP-3 : Determine the reflected output voltage (V_{RO}).

When the MOSFET in the FPS is turned off, the input voltage (V_{DC}) together with the output voltage reflected to the primary (V_{RO}) are imposed on the MOSFET as shown in Figure 4. After determining V_{RO} , the maximum nominal MOSFET voltage (V_{ds}^{nom}) is obtained as

$$V_{ds}^{nom} = V_{DC}^{max} + V_{RO} \tag{4}$$

where V_{DC}^{max} is specified in equation (3). The typical value for V_{RO} is 65-85V.

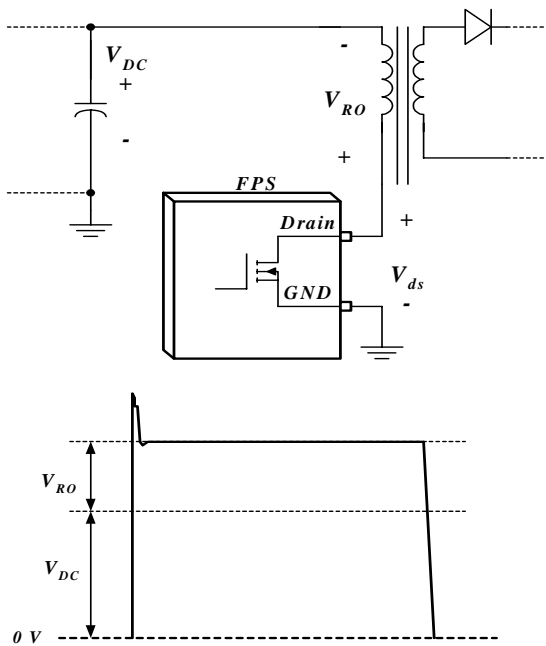


Figure 4. The output voltage reflected to the primary

(4) STEP-4 : Determine the transformer primary side inductance (L_m) and the maximum duty ratio (D_{max}).

A Flyback converter has two kinds of operation modes; continuous conduction mode (CCM) and discontinuous conduction mode (DCM). The operation changes between CCM and DCM as the load condition and input voltage vary and each operation mode has their own advantages and disadvantages, respectively. The transformer size can be reduced using DCM because the average energy stored is lower compared to CCM. However, DCM inherently causes higher RMS current, which increases the conduction loss of the MOSFET and the current stress on the output capacitors.

For low power applications under 10W where the MOSFET conduction loss is not so severe, it is typical to design the converter to operate in DCM for the entire operating range, or to operate in CCM only for low input voltage conditions in order to minimize the transformer size.

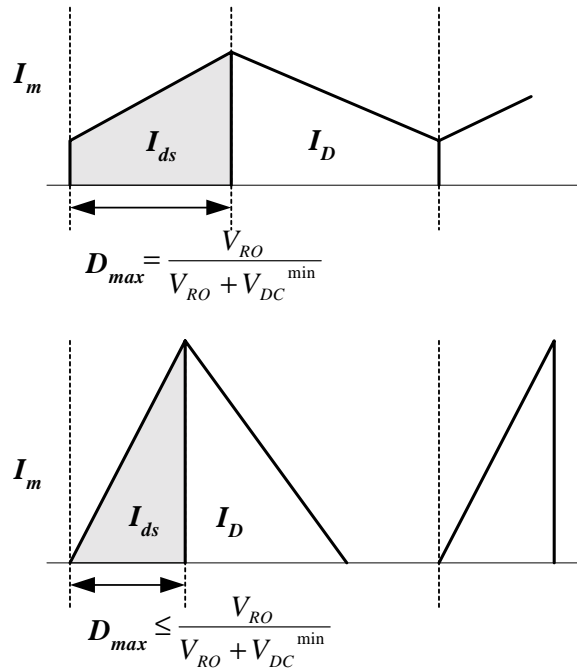
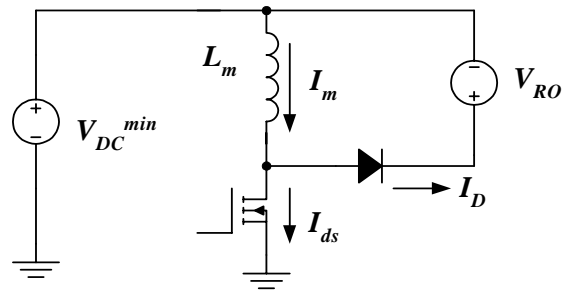


Figure 5. Simplified flyback converter

The design procedures for CCM and DCM are slightly different. Once the reflected output voltage (V_{RO}) is determined in step-3, the flyback converter can be simplified as shown in Figure 5 by neglecting the voltage drops in MOSFET and diode.

For CCM operation, the maximum duty ratio is given by

$$D_{max} = \frac{V_{RO}}{V_{RO} + V_{DC}^{min}} \tag{5}$$

where V_{DC}^{min} and V_{RO} are specified in equations (2) and step-3, respectively.

For DCM operation, the maximum duty ratio should be determined as smaller than the value obtained in equation (5). By reducing D_{max} , the transformer size can be reduced. However, this increases the RMS value of the MOSFET drain current and D_{max} should be determined by trade-off between the transformer size and MOSFET conduction loss.

With the maximum duty ratio, the primary side inductance (L_m) of the transformer is obtained. The worst case in designing L_m is full load and minimum input voltage

condition. Therefore, L_m is obtained in this condition as

$$L_m = \frac{(V_{DC}^{min} \cdot D_{max})^2}{2P_{in}f_s K_{RF}} \quad (6)$$

where V_{DC}^{min} is specified in equation (2), D_{max} is specified in equation (5), P_{in} is specified in step-1, f_s is the switching frequency of the FPS device and K_{RF} is the ripple factor in full load and minimum input voltage condition, defined as shown in Figure 6. For DCM operation, $K_{RF} = 1$ and for CCM operation $K_{RF} < 1$. The ripple factor is closely related to the transformer size and the RMS value of the MOSFET current. In the case of low power applications such as battery chargers, a relatively large ripple factor is used in order to minimize the transformer size. It is typical to set $K_{RF} = 0.5-0.7$ for the universal input range and $K_{RF} = 1.0$ for the European input range.

Once L_m is determined, the maximum peak current and RMS current of the MOSFET in normal operation are obtained as

$$I_{ds}^{peak} = I_{EDC} + \frac{\Delta I}{2} \quad (7)$$

$$I_{ds}^{rms} = \sqrt{\left[3(I_{EDC})^2 + \left(\frac{\Delta I}{2}\right)^2\right] \frac{D_{max}}{3}} \quad (8)$$

$$I_{EDC} = \frac{P_{in}}{V_{DC}^{min} \cdot D_{max}} \quad (9)$$

$$\Delta I = \frac{V_{DC}^{min} D_{max}}{L_m f_s} \quad (10)$$

where P_{in} , V_{DC}^{min} , D_{max} and L_m are specified in equations (1), (2), (5) and (6) respectively and f_s is the FPS switching frequency.

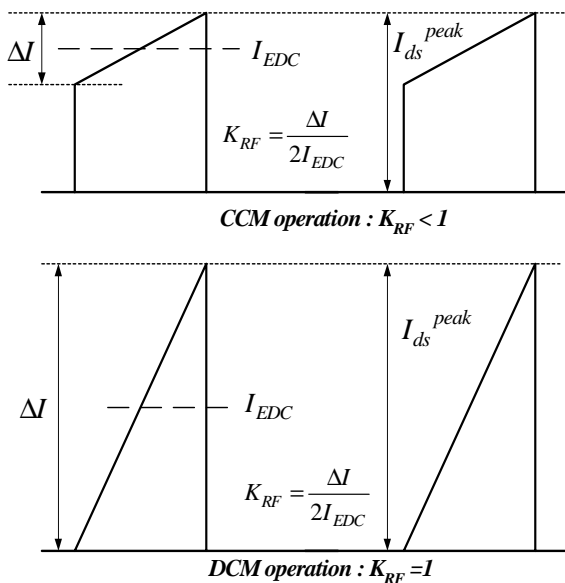


Figure 6. MOSFET Drain Current and Ripple Factor (K_{RF})

(5) STEP-5 : Choose the proper FPS considering input power and peak drain current.

With the resulting maximum peak drain current of the MOSFET (I_{ds}^{peak}) from equation (7), choose the proper FPS of which the pulse-by-pulse current limit level (I_{over}) is higher than I_{ds}^{peak} . Since FPS has $\pm 12\%$ tolerance of I_{over} , there should be some margin in choosing the proper FPS device.

(6) STEP-6 : Determine the proper core and the minimum primary turns.

Table 2 shows the commonly used cores for battery chargers with output power under 10W. The cores recommended in table 2 are typical for the universal input range and 100kHz switching frequency.

With the chosen core, the minimum number of turns for the transformer primary side to avoid the core saturation is given by

$$N_p^{min} = \frac{L_m I_{over}}{B_{sat} A_e} \times 10^6 \quad (\text{turns}) \quad (11)$$

where L_m is specified in equation (6), I_{over} is the FPS pulse-by-pulse current limit level, A_e is the cross-sectional area of the core as shown in Figure 7 and B_{sat} is the saturation flux density in tesla. Figure 8 shows the typical characteristics of ferrite core from TDK (PC40). Since the saturation flux density (B_{sat}) decreases as the temperature goes high, the high temperature characteristics should be considered.

If there is no reference data, use $B_{sat} = 0.3-0.35$ T. Since the MOSFET drain current exceeds I_{ds}^{peak} and reaches I_{over} in a transition or fault condition, I_{over} is used in equation (11) instead of I_{ds}^{peak} to prevent core saturation during transition.

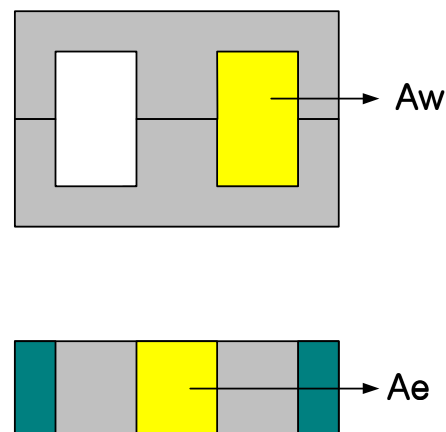


Figure 7. Window Area and Cross Sectional Area

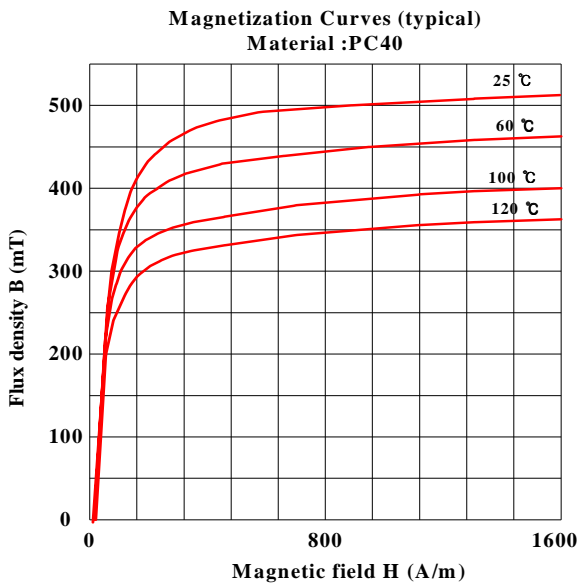


Figure 8. Typical B-H characteristics of ferrite core (TDK/PC40)

Core	Cross sectional area	Window area	Output power range
EE13-Z	17.1 mm ²	33.4 mm ²	3-5W
EI16-Z	19.8 mm ²	38.8 mm ²	3-5W
EE16-Z	21.7 mm ²	51.3 mm ²	5-10W
EI19-Z	24.0 mm ²	54.4 mm ²	5-10W

Table 2. Typical cores for battery charger (For universal input range, 5V output and fs=100kHz)

(7) STEP-7 : Determine the number of turns for each output

Figure 9 shows the simplified diagram of the transformer. First, determine the turns ratio (n) between the primary side and the secondary side.

$$n = \frac{N_P}{N_S} = \frac{V_{RO}}{V_o + V_F + V_{sense}} \quad (12)$$

where N_p and N_s are the number of turns for primary side and reference output, respectively, V_o is the output voltage, V_F is the diode (D_R) forward voltage drop and V_{sense} is the maximum voltage drop in the output current sensing resistor.

Then, determine the proper integer for N_s so that the resulting N_p is larger than N_p^{min} obtained from equation (11).

The number of turns for Vcc winding is determined as

$$N_a = \frac{V_{cc}^* + V_{Fa}}{V_o + V_F} \cdot N_{s1} \quad (\text{turns}) \quad (13)$$

where V_{cc}^* is the nominal value of the supply voltage of the FPS device, and V_{Fa} is the forward voltage drop of D_a as defined in Figure 9. Since V_{cc} increases as the output load increases, it is proper to set V_{cc}^* as V_{cc} start voltage (refer to the data sheet) to avoid triggering the over voltage protection during normal operation.

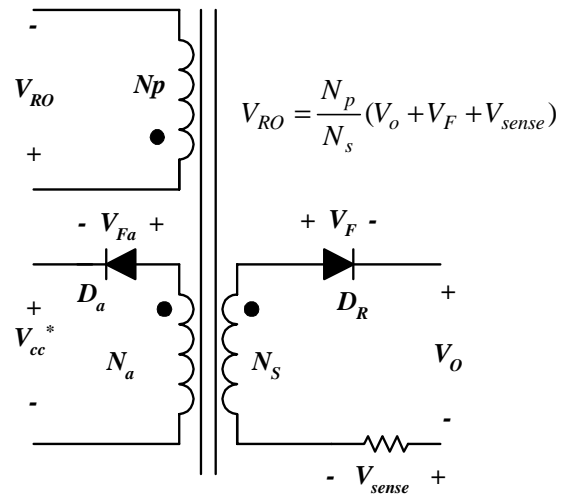


Figure 9. Simplified diagram of the transformer

With the determined turns of the primary side, the gap length of the core is obtained as

$$G = 40\pi A_e \left(\frac{N_p^2}{1000L_m} - \frac{1}{A_L} \right) \quad (mm) \quad (14)$$

where A_L is the AL-value with no gap in nH/turns², A_e is the cross sectional area of the core as shown in Figure 8, L_m is specified in equation (6) and N_p is the number of turns for the primary side of the transformer

(8) STEP-8 : Determine the wire diameter for each winding based on the rms current of each output.

The rms current of the n-th secondary winding is obtained as

$$I_s^{rms} = I_{ds}^{rms} \sqrt{\frac{1 - D_{max}}{D_{max}}} \cdot \frac{V_{RO}}{(V_o + V_F)} \quad (15)$$

where V_{RO} and I_{ds}^{rms} are specified in step-3 and equations (8), V_o is the output voltage, V_F is the diode (D_R) forward voltage drop and D_{max} is specified in equation (5). The current density is typically 5A/mm² when the wire is

long (>1m). When the wire is short with a small number of turns, a current density of 6-10 A/mm² is also acceptable. Avoid using wire with a diameter larger than 1 mm to avoid severe eddy current losses as well as to make winding easier. For high current output, it is better to use parallel windings with multiple strands of thinner wire to minimize skin effect.

Check if the winding window area of the core, A_w (refer to Figure 8) is enough to accommodate the wires. Because bobbin, insulation tape and gaps between wires, the wire can not fill the entire winding window area. Typically the fill factor is about 0.15-0.2 for a battery charger. When additional dummy windings are employed for EMI shielding, the fill factor is reduced. The required winding window area (A_{wr}) is given by

$$A_{wr} = A_c / K_F \quad (16)$$

where A_c is the actual conductor area and K_F is the fill factor.

If the required window (A_{wr}) is larger than the actual window area (A_w), go back to the step-6 and change the core to a bigger one. Sometimes it is impossible to change the core due to cost or size constraints. If so, go back to step-4 and reduce L_m by increasing the ripple factor (K_{RF}) or reducing the maximum duty ratio. Then, the minimum number of turns for the primary (N_p^{min}) of the equation (11) will decrease, which results in the reduced required winding window area (A_{wr}).

(9) STEP-9 : Choose the rectifier diode in the secondary side based on the voltage and current ratings.

The maximum reverse voltage and the rms current of the output rectifier diode (D_R) are obtained as

$$V_D = V_o + \frac{V_{DC}^{max} \cdot (V_o + V_F + V_{sense})}{V_{RO}} \quad (17)$$

$$I_D^{rms} = I_{ds}^{rms} \sqrt{\frac{V_{DC}^{min}}{V_{RO}}} \cdot \frac{V_{RO}}{(V_o + V_F + V_{sense})} \quad (18)$$

where V_{DC}^{max} , D_{max} and I_{ds}^{rms} are specified in equations (3), (5) and (8), respectively, V_o is the output voltage, V_F is the diode (D_R) forward voltage and V_{sense} is the maximum voltage drop in the output current sensing resistor.

The typical voltage and current margins for the rectifier diode are as follows

$$V_{RRM} > 1.3 \cdot V_D \quad (19)$$

$$I_F > 1.5 \cdot I_D^{rms} \quad (20)$$

where V_{RRM} is the maximum reverse voltage and I_F is the average forward current of the diode.

A quick selection guide for Fairchild Semiconductor rectifier diodes is given in table 3.

Schottky Barrier Diode			
Products	V_{RRM}	I_F	Package
SB340	40 V	3 A	TO-210AD
SB350	50 V	3 A	TO-210AD
SB360	60 V	3 A	TO-210AD

Table 3. Fairchild Diode quick selection table

(10) STEP-10 : Determine the output capacitor considering the voltage and current ripple.

The ripple current of the output capacitor (C_o) is obtained as

$$I_{cap}^{rms} = \sqrt{(I_D^{rms})^2 - I_o^2} \quad (21)$$

where I_o is the load current and I_D^{rms} is specified in equation (18). The ripple current should be smaller than the ripple current specification of the capacitor. The voltage ripple on the n-th output is given by

$$\Delta V_o = \frac{I_o D_{max}}{C_o f_s} + \frac{I_{ds}^{peak} V_{RO} R_C}{(V_o + V_F + V_{sense})} \quad (22)$$

where C_o is the output capacitance, R_C is the effective series resistance (ESR) of the output capacitor, D_{max} and I_{ds}^{peak} are specified in equations (5) and (7), respectively, I_o and V_o are the load current and output voltage, respectively, V_F is the diode (D_R) forward voltage and V_{sense} is the maximum voltage drop in the output current sensing resistor.

Sometimes it is impossible to meet the ripple specification with a single output capacitor due to the high ESR of the electrolytic capacitor. Then, additional LC filter stages (post filter) can be used. When using the post filters, be careful not to place the corner frequency too low. Too low a corner frequency may make the system unstable or limit the control bandwidth. It is typical to set the corner frequency of the post filter at around 1/10~1/5 of the switching frequency.

(11) STEP-11 : Design the RCD snubber.

When the power MOSFET is turned off, there is a high voltage spike on the drain due to the transformer leakage inductance. This excessive voltage on the MOSFET may lead to an avalanche breakdown and eventually failure of the FPS. Therefore, it is necessary to use an additional network to clamp the voltage.

The RCD snubber circuit and MOSFET drain voltage waveform are shown in Figure 10 and 11, respectively. The RCD snubber network absorbs the current in the leakage inductance by turning on the snubber diode (D_{sn}) once the MOSFET drain voltage exceeds the voltage of node X as depicted in Figure 10. In the analysis of snubber network, it is assumed that the snubber capacitor is large enough that its voltage does not change significantly during one switching

cycle. The snubber capacitor used should be ceramic or a material that offers low ESR. Electrolytic or tantalum capacitors are unacceptable due to these reasons.

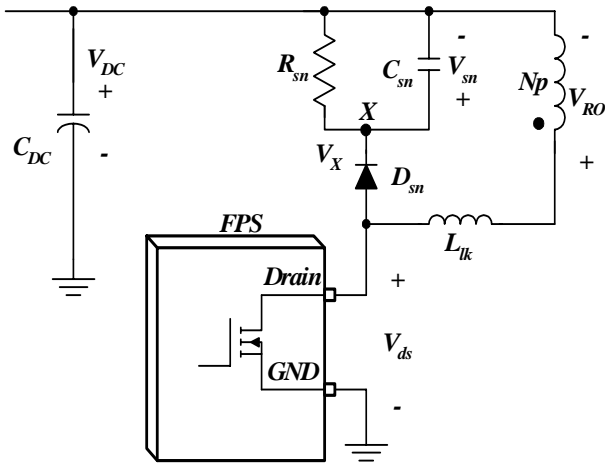


Figure 10. Circuit diagram of the snubber network

The first step in designing the snubber circuit is to determine the snubber capacitor voltage at the minimum input voltage and full load condition (V_{sn}). Once V_{sn} is determined, the power dissipated in the snubber network at the minimum input voltage and full load condition is obtained as

$$P_{sn} = \frac{(V_{sn})^2}{R_{sn}} = \frac{1}{2} f_s L_{lk} (I_{ds}^{peak})^2 \frac{V_{sn}}{V_{sn} - V_{RO}} \quad (23)$$

where I_{ds}^{peak} is specified in equation (8), f_s is the FPS switching frequency, L_{lk} is the leakage inductance, V_{sn} is the snubber capacitor voltage at the minimum input voltage and full load condition, V_{RO} is the reflected output voltage and R_{sn} is the snubber resistor. V_{sn} should be larger than V_{RO} and it is typical to set V_{sn} to be 2~2.5 times V_{RO} . Too small a V_{sn} results in a severe loss in the snubber network as shown in equation (23). The leakage inductance is measured at the switching frequency on the primary winding with all other windings shorted.

Then, the snubber resistor with proper rated wattage should be chosen based on the power loss. The maximum ripple of the snubber capacitor voltage is obtained as

$$\Delta V_{sn} = \frac{V_{sn}}{C_{sn} R_{sn} f_s} \quad (24)$$

where f_s is the FPS switching frequency. In general, 5~10% ripple of the selected capacitor voltage is reasonable. The snubber capacitor voltage (V_{sn}) of equation (26) is for the minimum input voltage and full load condition. When the converter is designed to operate in CCM under this condition, the peak drain current together with the snubber capacitor voltage decrease as the input voltage increases as shown in Figure 11. The peak drain current at the maximum

input voltage and full load condition (I_{ds2}^{peak}) is obtained as

$$I_{ds2}^{peak} = \sqrt{\frac{2 \cdot P_{in}}{f_s \cdot L_m}} \quad (25)$$

where P_{in} and L_m are specified in equations (1) and (6), respectively and f_s is the FPS switching frequency.

The snubber capacitor voltage under maximum input voltage and full load condition is obtained as

$$V_{sn2} = \frac{V_{RO} + \sqrt{(V_{RO})^2 + 2R_{sn}L_{lk}f_s(I_{ds2}^{peak})^2}}{2} \quad (26)$$

where f_s is the FPS switching frequency, L_{lk} is the primary side leakage inductance, V_{RO} is the reflected output voltage and R_{sn} is the snubber resistor.

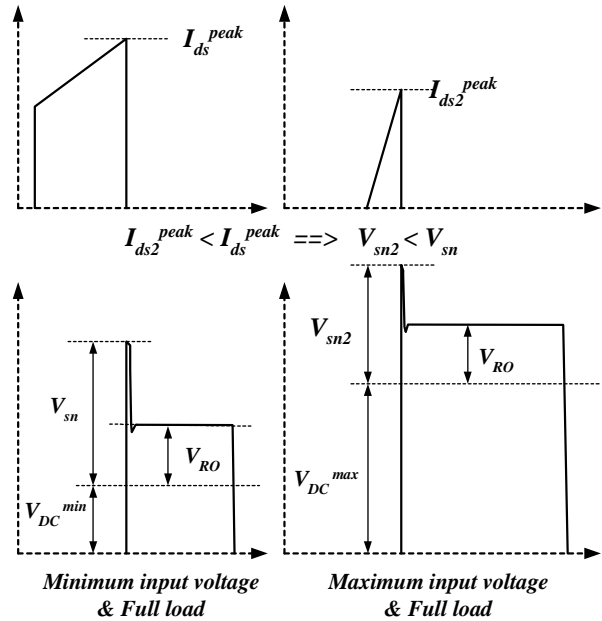


Figure 11. MOSFET drain voltage and snubber capacitor voltage

From equation (26), the maximum voltage stress on the internal MOSFET is given by

$$V_{ds}^{max} = V_{DC}^{max} + V_{sn2} \quad (27)$$

where V_{DC}^{max} is specified in equation (3).

Check if V_{ds}^{max} is below 85% of the rated voltage of the MOSFET (BV_{dss}) as shown in Figure 12. The voltage rating of the snubber diode should be higher than BV_{dss} . Usually, an ultra fast diode with 1A current rating is used for the snubber network.

In the snubber design in this section, neither the lossy discharge of the inductor nor stray capacitance is considered. In the actual converter, the loss in the snubber network is less than the designed value due to these effects.

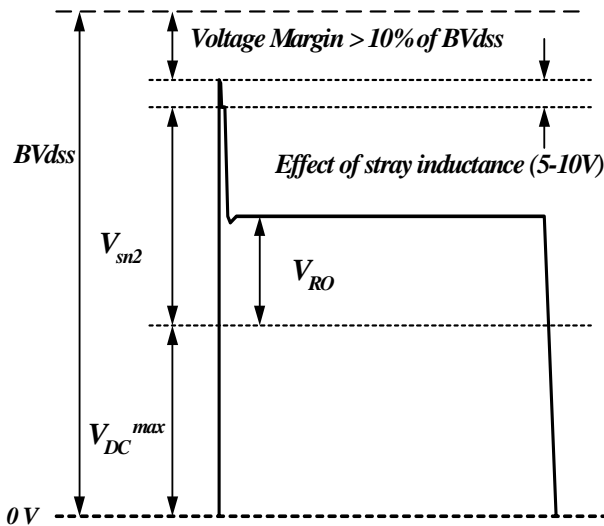


Figure 12. MOSFET drain voltage and snubber capacitor voltage

(12) STEP-12 : Design the Control circuit.

In general, a battery charger employs constant current (CC) / constant voltage (CV) control circuit for an optimal charge of a battery. This design note presents two basic CC/CV control circuits for FPS flyback converters. A simple, low cost circuit using a transistor and shunt regulator (KA431) is presented first. The second circuit features highly accurate current control using an op amp together with a shunt regulator (KA431) and secondary bias winding. In the circuit analysis, it is assumed that the CTR of the opto-coupler is 100%.

(a) Transistor and regulator (KA431) scheme

Figure 13 shows the CC/CV control circuit using a transistor and KA431 for 5.2V/0.65A output application. This circuit is widely used when low cost and simplicity are major concerns. Since the transistor base-emitter voltage drop depends on the temperature, a temperature compensation circuit is required for temperature stability. To turn on the transistor (Q), about 0.7V voltage drop across the sensing resistor (R_{sense}) is required and this current control circuit should be used for output currents below 1A due to the power dissipated in current sense resistor. For output currents greater than 1A, or if output current accuracy and

temperature stability are a key factor, the op amp current control circuits shown in Figure 15 should be used.

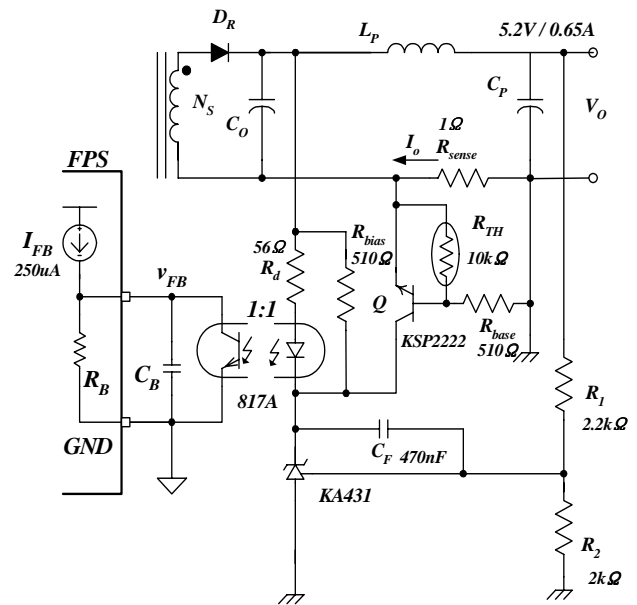


Figure 13. Transistor and KA431 CC/CV control

Constant voltage (CV) control : The voltage divider network of R_1 and R_2 should be designed to provide 2.5V to the reference pin of the KA431. The relationship between R_1 and R_2 is given by

$$R_2 = \frac{2.5 \cdot R_1}{V_o - 2.5} \quad (28)$$

where V_o is the output voltage.

By choosing R_1 to be 2.2k Ω , R_2 is obtained as

$$R_2 = \frac{2.5 \cdot 2.2k\Omega}{5.2V - 2.5V} = 2k\Omega$$

The feedback capacitor (C_F) introduces an integrator for CV control. To guarantee stable operation, C_F of 470nF is chosen.

The resistors R_{bias} and R_d should be designed to provide proper operating current for the KA431 and to guarantee the full swing of the feedback voltage for the FPS device chosen. In general, the minimum cathode voltage and current for the KA431 are 2.5V and 1mA, respectively. Therefore, R_{bias} and R_d should be designed to satisfy the following conditions.

$$\frac{V_o - V_{OP} - 2.5}{R_d} > I_{FB} \quad (29)$$

$$\frac{V_{OP}}{R_{bias}} > 1mA \quad (30)$$

where V_o is the output voltage, V_{OP} is opto-diode forward voltage drop, which is typically 1V and I_{FB} is the feedback current of FPS. With $I_{FB}=0.25\text{mA}$ (FSD210), R_d and R_{bias} are determined as 56Ω and 510Ω , respectively.

Constant Current (CC) control : The current control circuit is shown in detail in Figure 14. The CC control is implemented using a transistor. Because the transistor base-emitter voltage drop varies with the temperature, negative thermal coefficient (NTC) thermistor is used for a temperature compensation.

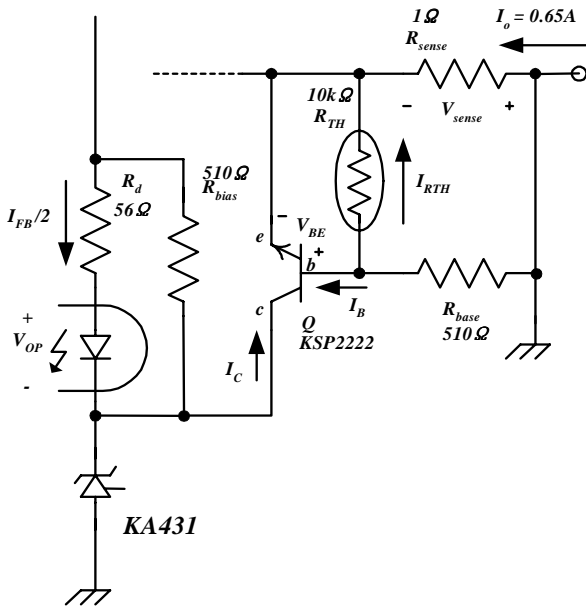


Figure 14. Current control circuit in detail

When the voltage across the sensing resistor is sufficient to turn on the transistor, CC controller is enabled while CV controller is disabled. Then, the KA431 consumes very small current and most of the currents through R_d and R_{bias} flow into the collector of the transistor Q. By assuming that the feedback voltage of FPS (V_{FB}) is in the middle of its operating range, half of the FPS feedback current (I_{FB}) sinks into the opto-coupler transistor. Since it is also assumed that the CTR of the opto-coupler is 100%, the transistor collector current is given by

$$I_C = \frac{(I_{FB} \cdot R_d) / 2 + V_{OP}}{R_{bias}} + \frac{1}{2} \cdot I_{FB} \quad (31)$$

where I_{FB} is the feedback current of FPS, V_{OP} is opto-diode forward voltage drop, which is typically 1V.

From the circuit in Figure 14, I_C is obtained as

$$I_C = \frac{(250\mu\text{A} \cdot 56\Omega) / 2 + 1\text{V}}{510\Omega} + \frac{1}{2} \cdot 250\mu\text{A} = 2.1\text{mA}$$

By assuming that the current gain (β) of Q is 100, the transistor base current is obtained as

$$I_B = \frac{I_C}{\beta} = \frac{2.1\text{mA}}{100} = 21\mu\text{A} \quad (32)$$

The voltage drop in the sensing resistor (V_{sense}) should be set to be 40-100mV higher than the transistor base-emitter voltage (V_{BE}) at room temperature (25°C). The actual transistor base-emitter voltage (V_{BE}) temperature is measured at room temperature as 0.608V with I_C of 2.1mA and V_{sense} is determined to be 0.650V.

With the V_{sense} chosen, the sensing resistor (R_{sense}) is obtained as

$$R_{sense} = \frac{V_{sense}}{I_o} = \frac{0.65\text{V}}{0.65\text{A}} = 1\Omega \quad (33)$$

where I_o is SMPS output current.

It is typical to design the NTC thermistor so that the current through the thermistor would be about 3-6 times of the transistor base current at room temperature. The resistance of the thermistor at room temperature (R_{TH}) is determined as 10 kΩ. The current through the thermistor is obtained as

$$I_{RTH} = \frac{V_{BE}}{R_{TH}} = \frac{0.608\text{V}}{10\text{k}\Omega} = 61\mu\text{A} \quad (34)$$

The base resistor is determined by

$$R_{base} = \frac{V_{sense} - V_{BE}}{\frac{V_{BE}}{R_{TH}} + I_B} = \frac{0.65\text{V} - 0.608\text{V}}{\frac{0.608\text{V}}{10\text{k}\Omega} + 21\mu\text{A}} = 513\Omega \quad (35)$$

Variations in the junction temperature of Q will cause variations in the value of controlled output current (I_o). The base-emitter voltage decreases with increasing temperature at a rate of approximately 2mV/°C. When the base-emitter voltage is changed to V_{BE}^T as the temperature changes to T °C, the thermistor resistance at T °C required to compensate this variation is given by

$$R_{TH}^T = \frac{V_{BE}^T}{\frac{V_{sense} - V_{BE}^T}{R_{base}} - I_B} \quad (36)$$

With -2mV/°C, V_{BE} reduces to 0.508V from 0.608V as temperature increases from 25°C to 75°C. From equation

(36), the resistance of the thermistor at 75°C to keep the same output current is given by

$$\frac{0.508V}{\frac{0.65V - 0.508V}{513} - 21\mu A} = 1.99k$$

NTC thermistor 103X2 from DSC is chosen for the compensation, whose resistance is 10kΩ at 25°C and 1.92kΩ at 75°C.

(b) OP amp and shunt regulator (KA431) scheme

Figure 15 shows a 4.2 V, 0.8A CC/CV control circuit using the LM358 dual op amp shunt regulator (KA431). This circuit provides higher accuracy compared with the simple transistor circuit. Power loss is lower and efficiency is better because smaller resistance values can be used for sense resistor R_{sense} . The shunt regulator (KA431) is used as a voltage reference for an accurate control.

Constant voltage (CV) control : The Output voltage is sensed by R1 and R2 and then compared by OP amp LM358B to reference of 2.5V. The output of the OP amp drives current through D₂ and R_d into the LED of the optocoupler. The voltage divider network of R₁ and R₂ should be designed to provide 2.5V to the reference pin of the KA431. The relationship between R₁ and R₂ is given by

$$R_2 = \frac{2.5 \cdot R_1}{V_o - 2.5} \quad (37)$$

where V_o is the output voltage.

By choosing R₁ to be 680Ω, R₂ is obtained as

$$R_2 = \frac{2.5 \cdot 680}{4.2V - 2.5V} = 1k\Omega$$

C_{F2}, R_{F2}, and R₆ compensate the voltage control loop.

Constant Current (CC) control : The voltage drop across the sensing resistor (R_{sense}) is given by

$$V_{sense} = I_o R_{sense} \quad (38)$$

It is typical to set V_{sense} as 0.1-0.2V.

Since the inverting input of OP amp is virtually grounded, the relationship between R4 and R5 is given by

$$R_4 = \frac{V_{sense} \cdot R_5}{2.5} \quad (39)$$

By choosing R5 as 33kΩ, R4 is obtained as 2.1kΩ. C_{F2}, R_{F2}, and R₆ compensate the current control loop.

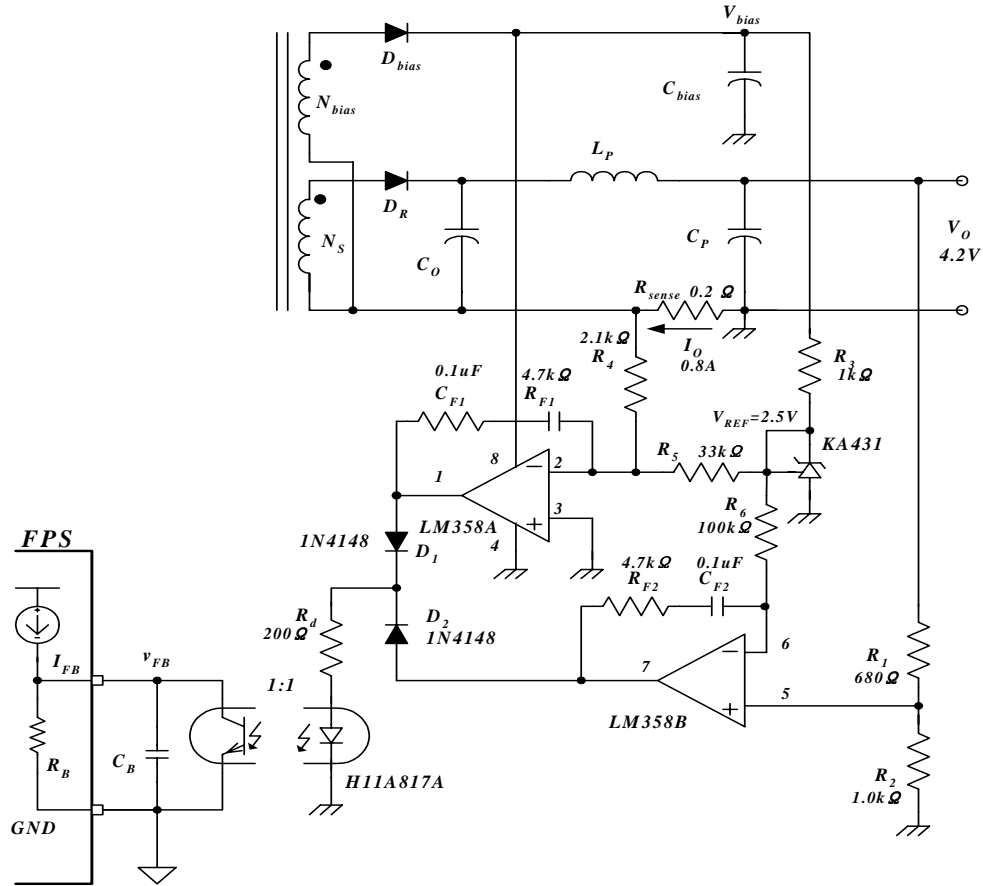


Figure 15. CC/CV control using OP amp and shunt regulator

- Summary of symbols -

A_w	: Winding window area of the core in mm^2
A_e	: Cross sectional area of the core in mm^2
B_{sat}	: Saturation flux density in tesla.
C_o	: Output capacitor
D_{max}	: Maximum duty cycle ratio
E_{ff}	: Estimated efficiency
f_L	: Line frequency
f_s	: Switching frequency of FPS
$I_{\text{ds}}^{\text{peak}}$: Maximum value of peak current through MOSFET at the minimum input voltage condition
$I_{\text{ds2}}^{\text{peak}}$: Maximum value of peak current through MOSFET at the maximum input voltage condition
$I_{\text{ds}}^{\text{rms}}$: RMS current of MOSFET
I_{ds2}	: Maximum peak drain current at the maximum input voltage condition.
I_{over}	: FPS current limit level.
$I_{\text{se}}^{\text{rms}}$: RMS current of the secondary winding
I_D^{rms}	: Maximum rms current of the output rectifier diode
$I_{\text{cap}}^{\text{rms}}$: RMS Ripple current of the output capacitor
I_o	: Output load current
K_{RF}	: Current ripple factor
L_m	: Transformer primary side inductance
L_{lk}	: Transformer primary side leakage inductance
Loss_{sn}	: Maximum power loss of the snubber network in normal operation
N_p^{min}	: The minimum number of turns for the transformer primary side to avoid saturation
N_p	: Number of turns for primary side winding
N_s	: Number of turns for the output winding
N_a	: Number of turns for the Vcc winding
P_o	: Maximum output power
P_{in}	: Maximum input power
R_c	: Effective series resistance (ESR) of the output capacitor.
R_{sn}	: Snubber resistor
R_L	: Effective total output load resistor of the controlled output
$V_{\text{line}}^{\text{min}}$: Minimum line voltage
$V_{\text{line}}^{\text{max}}$: Maximum line voltage
$V_{\text{DC}}^{\text{min}}$: Minimum DC link voltage
$V_{\text{DC}}^{\text{max}}$: Maximum DC line voltage
$V_{\text{ds}}^{\text{nom}}$: Maximum nominal MOSFET voltage
V_o	: Output voltage
V_F	: Forward voltage drop of the output rectifier diode.
V_{cc}^*	: Nominal voltage for Vcc
V_{Fa}	: Diode forward voltage drop of Vcc winding
V_D	: Maximum voltage of the output rectifier diode
V_{RO}	: Output voltage reflected to the primary
V_{sn}	: Snubber capacitor voltage under minimum input voltage and full load condition
V_{sn2}	: Snubber capacitor voltage under maximum input voltage and full load condition
$V_{\text{ds}}^{\text{max}}$: Maximum voltage stress of the MOSFET

Design example using FPS Design Assistant

Application	Device	Output Power	Input voltage	Output voltage (Max Current)	Ripple spec
Battery charger	FSD210	3.4W	85V-265VAC	5.2V (0.65A)	± 5%

1. Define the system specifications

Minimum Line voltage (V_{line}^{min})	85 V.rms
Maximum Line voltage (V_{line}^{max})	265 V.rms
Line frequency (f_L)	60 Hz

	$V_{o(n)}$	$I_{o(n)}$	$P_{o(n)}$
Output	5.2 V	0.65 A	3 W
Maximum output power (P_o) =	3.4 W		
Estimated efficiency (E_{ff})	65 %		
Maximum input power (P_{in}) =	5.2 W		

☞ The estimated efficiency (E_{ff}) is set to be 0.65, considering the low output voltage and the loss in the current sensing resistor.

2. Determine DC link capacitor and DC link voltage range

DC link capacitor (C_{DC})	9.4 μ F
Minimum DC link voltage (V_{DC}^{min}) =	84 V
Maximum DC link voltage (V_{DC}^{max}) =	375 V

☞ Since the input power is 5.2 W, the DC link capacitor is set to be 9.4 μ F by 2 μ F/Watt. (4.7 μ F \times 2)

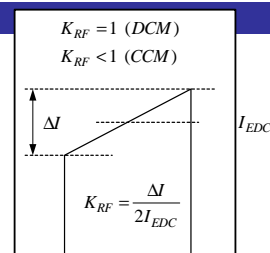
3. Determine Maximum duty ratio (Dmax)

Output voltage reflected to primary (V_{RO}) =	70 V
Maximum duty ratio (D_{max})	0.456
Max nominal MOSFET voltage (V_{ds}^{nom}) =	445 V

☞ V_{RO} is set to be 70V so that V_{ds}^{nom} would be about 70% of 650V.

4. Determine transformer primary inductance (Lm)

Switching frequency of FPS (f_s)	134 kHz
Ripple factor (K_{RF})	0.66
Primary side inductance (L_m) =	1597 μ H
Maximum peak drain current (I_{ds}^{peak}) =	0.23 A
RMS drain current (I_{ds}^{rms}) =	0.10 A
Maximum DC link voltage in CCM (V_{DC}^{CCM})	143 V



5. Choose the proper FPS considering the input power and current limit

Typical current limit of FPS (I_{over})	0.32	A			
Minimum I_{over} considering tolerance of 12%	0.28	A	>	0.23	A
					->O.K.

6. Determine the proper core and the minimum primary turns

Saturation flux density (B_{sat})	0.30	T
Cross sectional area of core (A_e)	19.4	mm ²
Minimum primary turns (N_p^{min})=	87.8	T

↳ Ferrite core EE1616 is chosen ($A_e=19.4$ mm²)

7. Determine the number of turns for each output

	$V_{o(n)}$	$V_{F(n)}$		# of turns
Vcc (Use Vcc start voltage)	12 V	0.8 V	18.0 =>	18 T
1st output for feedback	5.2 V	1.2 V	9 =>	9 T
VF : Forward voltage drop of rectifier diode			Primary turns (N_p)=	99 T
			---->enough turns	
Ungapped AL value (AL)	1150	nH/T ²		
Gap length (G) ; center pole gap =	0.13	mm		

↳ The voltage drop in the sensing resistor (0.7V) is included in the diode voltage drop of the output diode.

$$(0.7V + 0.5V = 1.2V)$$

8. Determine the wire diameter for each winding

	Diameter	Parallel	$I_{D(n)}^{rms}$	(A/mm ²)
Primary winding	0.16 mm	1 T	0.1 A	4.9
Vcc winding	0.16 mm	2 T	0.1 A	2.5
Output winding	0.4 mm	1 T	1.2 A	9.4
Copper area (A_c) =	3.84	mm ²		
Fill factor (K_f)	0.15			
Required window area (A_{wr})	25.62	mm ²		

↳ Since the winding for 5.2V is short with small number of turns, relatively large current density (> 5A/mm²) is allowed.

9. Choose the rectifier diode in the secondary side

	$V_{D(n)}$		$I_{D(n)}^{rms}$
Vcc diode	80	V	0.10 A
1st output diode	39	V	1.18 A

Vcc winding	UF4003 (200V /1A, VF=1V)	Ultra Fast Recovery Diode
output (5.2V)	SB260 (60V/2A, VF=0.55V)	Schottky Barrier Diode

10. Determine the output capacitor

	$C_{o(n)}$	$R_{C(n)}$	$I_{cap(n)}$	$\Delta V_{o(n)}$
1st output capacitor	330 μ F	200 $m\Omega$	1.0 A	0.50 V

Since the output voltage ripple exceeds the ripple spec of $\pm 5\%$, additional LC filter stage should be used. 330 μ F capacitor together with 3.9 μ H inductor are used for the post filter.

11. Design RCD snubber

Primary side leakage inductance (L_{lk})	50 μ H
Maximum Voltage of snubber capacitor (V_{sn})	170 V
Maximum snubber capacitor voltage ripple	9 %
Snubber resistor (R_{sn})=	99.6 $k\Omega$
Snubber capacitor (C_{sn})=	0.8 nF
Power loss in snubber resistor (P_{sn})=	0.3 W (In Normal Operation)
Peak drain current at V_{DC}^{max} (I_{ds2}) =	0.22 A
Max Voltage of Csn at V_{DC}^{max} (V_{sn2})=	167 V
Max Voltage stress of MOSFET (V_{ds}^{max})=	542 V

The snubber capacitor and snubber resistor are chosen as 1nF and 94 $k\Omega$ (47 $k\Omega \times 2$), respectively. The maximum voltage stress on the MOSFET is below 80% of BV_{dss} (700V)

Experimental Verification

In order to show the validity of the design procedure presented in this paper, the converter of the design example has been built and tested. All the circuit components are used as designed in the design example and the detailed transformer structure is shown in Figure 17. The winding specifications and measured transformer characteristics are shown in table 4 and 5, respectively. The dummy winding (W3) is used as an EMI shield. This winding improves EMI characteristics by screening the radiation noise generated from the primary winding.

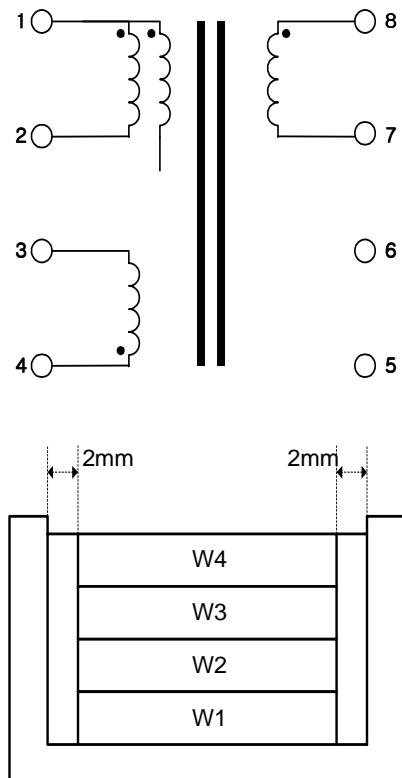


Figure 17. Transformer structure

No.	Pin (S → F)	Wire	Turns	Winding Method
W1	1 → 2	0.16Φ X 1	99 Ts	SOLENOID WINDING
INSULATION : POLYESTER TAPE t=0.025mm / 10mm, 2Ts				
W2	4 → 3	0.16Φ X 1	18 Ts	CENTER SOLENOID WINDING
INSULATION : POLYESTER TAPE t=0.025mm / 10mm, 2Ts				
W3	1 → open	0.16Φ X 1	50 Ts	SOLENOID WINDING
INSULATION : POLYESTER TAPE t=0.025mm / 10mm, 3Ts				
W4	8 → 7	0.40Φ X 1	9 Ts	SOLENOID WINDING
INSULATION : POLYESTER TAPE t=0.025mm / 10mm, 3Ts				

Table 4. Winding specifications

Core	EE1616 (ISU Ceramics)
Primary side inductance	1.6 mH @ 100kHz
Leakage inductance	50 uH @100kHz with all other windings shorted.

Table 5. The measured transformer characteristics

Figure 18 shows the FPS drain current and voltage waveforms at the minimum input voltage and full load condition. As designed, the maximum peak drain current (I_{ds}^{peak}) is about 0.23A. Figure 19 shows the FPS drain current and voltage waveforms at the maximum input voltage and full load condition. The maximum voltage stress on the MOSFET is about 520V, which is lower than the designed value (542V). This is because of the lossy discharge of the inductor or the stray capacitance. The measured efficiencies at full load for different input voltages are shown in Figure 20. The minimum efficiency is 61% at 265V input voltage. The efficiencies are a little bit low due to the power loss in the current sensing resistor in the output. The components for CC/CV control circuit are chosen as designed in design procedure of step-12. Figure 21 and 22 show the output voltage vs. output current characteristics at 25°C and 75°C, respectively. As designed, the output voltage is 5.2V and the output current is 0.65A. The output current variation with temperature is very small due to the temperature compensation circuit with thermistor.

Table 6 shows the power consumption in the standby mode. Through the burst mode operation, the power consumption is minimized. The power consumption at 240V input is under 100 mW. The detailed burst operation waveforms are shown in Figure 23 and 24. By disabling and enabling the switching operation according to the feedback voltage, the effective switching frequency is reduced, which also reduces the power consumption in the standby mode.

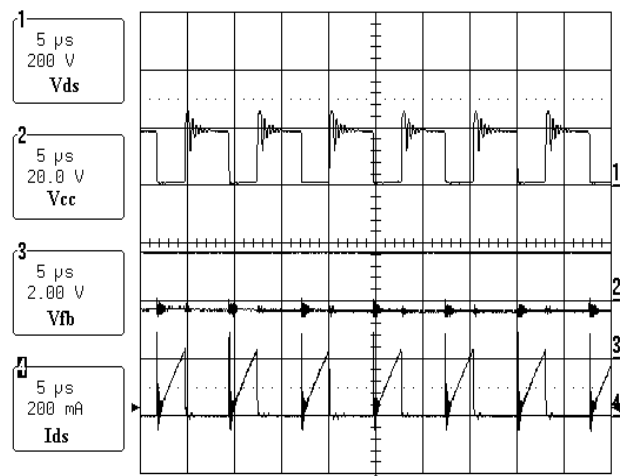


Figure 18. Waveforms of drain current and voltage at 85Vac and full load condition

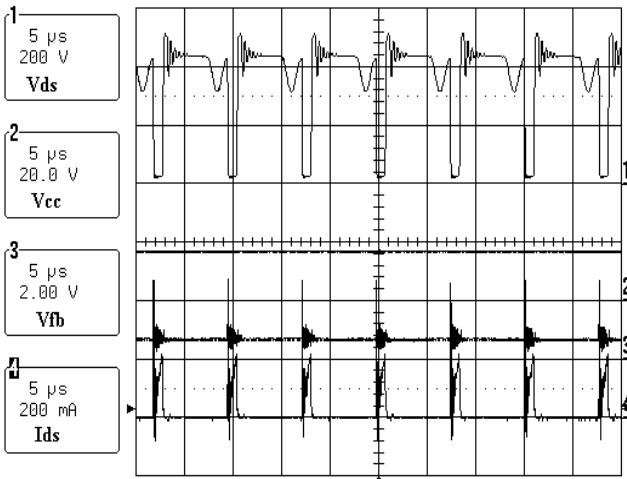


Figure 19. Waveforms of drain current and voltage at 265Vac and full load condition

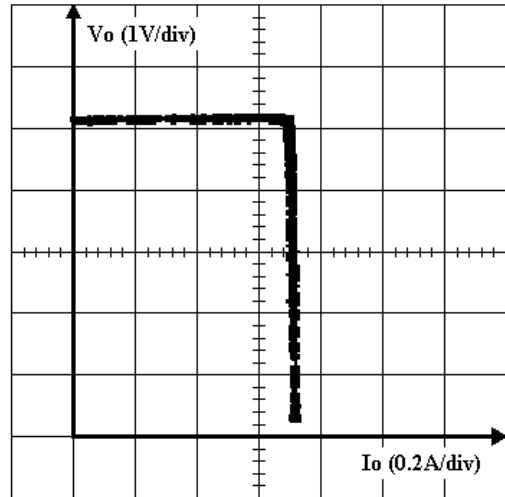


Figure 22. Output voltage (Vo) vs. output current (Io) Characteristics @ 75 °C

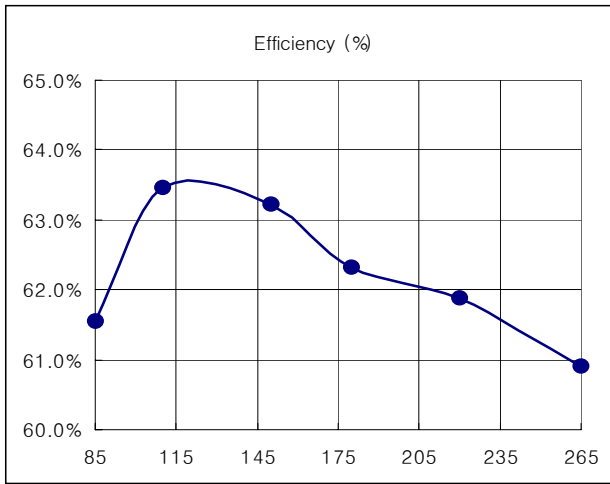


Figure 20. Measured efficiency at full load for different input voltage

Input voltage	Input power
85Vac	54 mW
240Vac	92 mW
265Vac	110 mW

Table 6. Standby power consumption

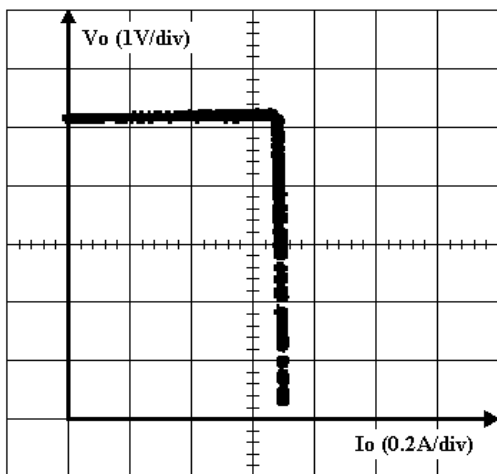


Figure 21. Output voltage (Vo) vs. output current (Io) Characteristics @ 25 °C

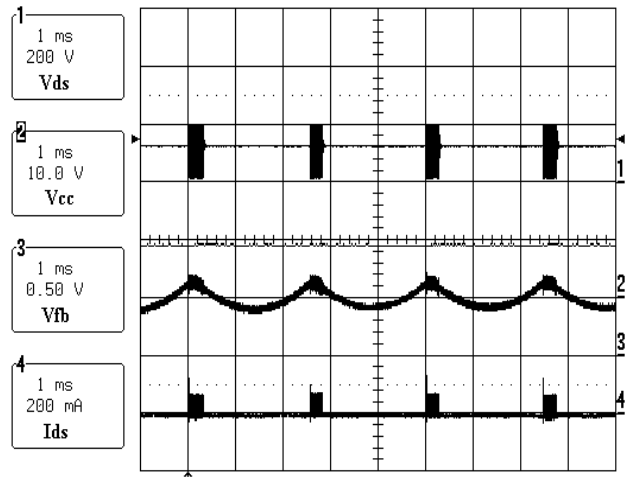


Figure 23. Burst mode Waveforms at 85Vac and full load condition

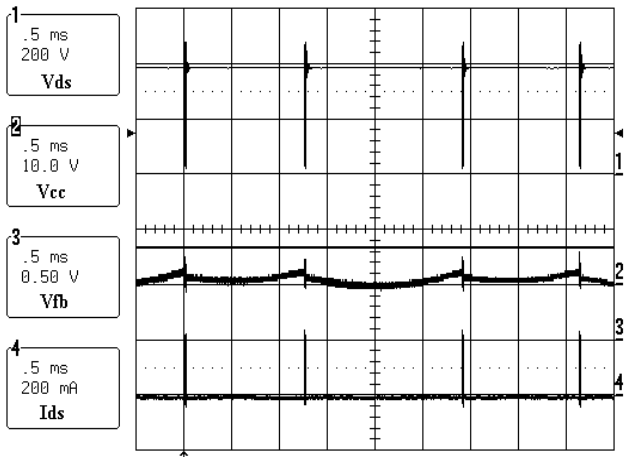


Figure 24. Burst mode Waveforms at 265Vac and full load condition

by Hang-Seok Choi / Ph. D

Power Supply Group / Fairchild Semiconductor
Phone : +82-32-680-1383 Facsimile : +82-32-680-1317
E-mail : hschoi@fairchildsemi.co.kr

[Fairchild Power Supply WebDesigner — Flyback Design & Simulation - In Minutes at No Expense](#)

DISCLAIMER

FAIRCHILD SEMICONDUCTOR RESERVES THE RIGHT TO MAKE CHANGES WITHOUT FURTHER NOTICE TO ANY PRODUCTS HEREIN TO IMPROVE RELIABILITY, FUNCTION OR DESIGN. FAIRCHILD DOES NOT ASSUME ANY LIABILITY ARISING OUT OF THE APPLICATION OR USE OF ANY PRODUCT OR CIRCUIT DESCRIBED HEREIN; NEITHER DOES IT CONVEY ANY LICENSE UNDER ITS PATENT RIGHTS, NOR THE RIGHTS OF OTHERS.

LIFE SUPPORT POLICY

FAIRCHILD'S PRODUCTS ARE NOT AUTHORIZED FOR USE AS CRITICAL COMPONENTS IN LIFE SUPPORT DEVICES OR SYSTEMS WITHOUT THE EXPRESS WRITTEN APPROVAL OF THE PRESIDENT OF FAIRCHILD SEMICONDUCTOR CORPORATION. As used herein:

1. Life support devices or systems are devices or systems which, (a) are intended for surgical implant into the body, or (b) support or sustain life, or (c) whose failure to perform when properly used in accordance with instructions for use provided in the labeling, can be reasonably expected to result in significant injury to the user.
2. A critical component is any component of a life support device or system whose failure to perform can be reasonably expected to cause the failure of the life support device or system, or to affect its safety or effectiveness.